

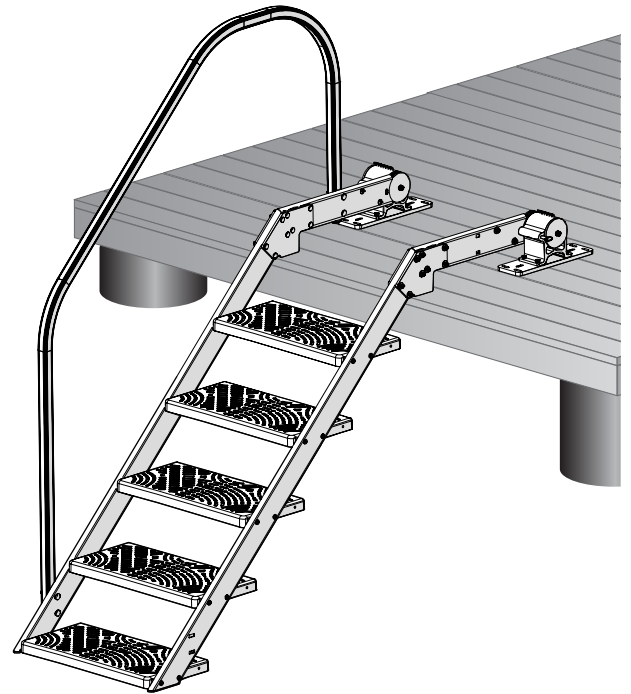
The Nauti Step Dock Ladder requires a three step installation process.

- Step 1 Mounting the base/housing to the dock using the "The Mounting Template" instructions.
- Step 2 Assembling the Nauti Steps Ladder.
- Step 3 Securing the Nauti Steps Ladder to the base/housing

WARNING

Due to the variation in dock styles and materials, it is strongly recommended that a dock installer or professional installs the Nauti Steps.

Additionally, due to the weight and structural tension applied to the ladder base, additional support must be installed for safe and secure mounting.



Maximum Weight Capacity 300 lbs.

Safety Warning:

- When water conditions are rough, waves can rapidly raise or lower the dock, creating unsafe conditions. Do not use the Nauti Steps in rough waters or during severe weather conditions to prevent accidents and ensure user safety.
- Before lowering the Nauti Steps Dock Ladder into the water, take a moment to thoroughly inspect the ladder for any signs of damage or wear.
- Check for loose Nuts/Bolts: Ensure all hardware is fully tightened, including bolts on the frame and steps.
- Check frame Condition: Check for any cracks, bends, or other structural damage.
- Check for Corrosion: Inspect for rust or corrosion that could weaken the frame.
- Overall Stability: Confirm that all parts are secure and properly assembled.

If any damage is found, DO NOT use the Nauti Steps. Remove them from service immediately.

CAUTION: Secure the Nauti Steps in the down position with the safety pin before use.

WARNING

Failure to follow all warnings and instructions may result in product failure, property damage, serious bodily injury, and/or death.



WARNING: This product can expose you to chemicals including Nickel, which is known to the State of California to cause cancer. For more information go to: www.P65Warnings.ca.gov



Online
Nauti Steps
Assembly Instructions

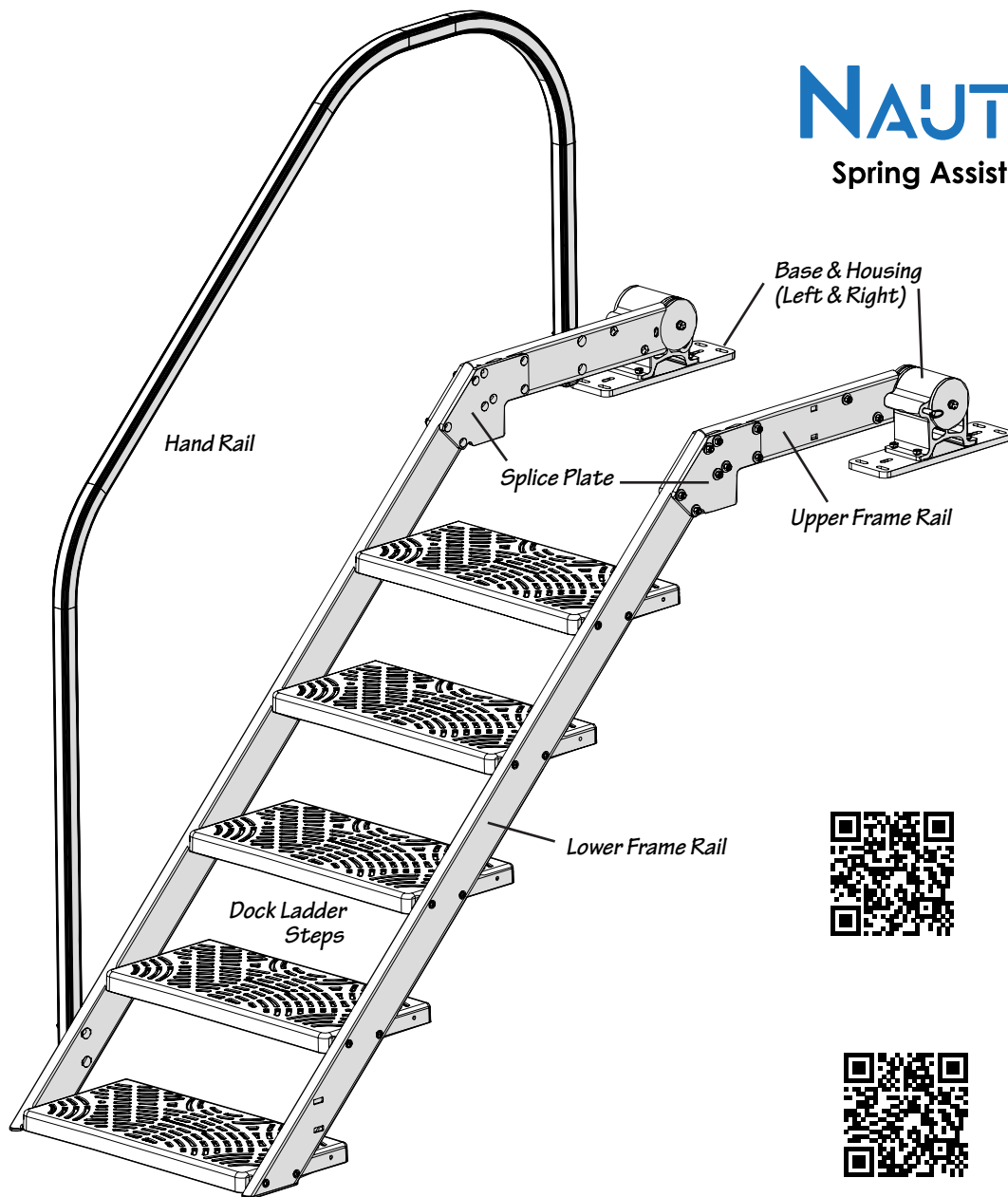


Online
Nauti Steps
Mounting Template
and Base Installation

Instruction #08472 (A2069 - Rev. 6/11/26)

Installation Manuals and Part Diagrams (QR Codes)

NAUTI STEPS Spring Assisted Dock Ladder



Nauti Steps
Installation Instructions



Nauti Steps
Base & Housing
Mounting Instructions



Nauti Steps
4 - Step Model #43124
Parts Diagram



Nauti Steps
5 - Step Model #43125
Parts Diagram



Nauti Steps
6 - Step Model #43126
Parts Diagram

Nauti Step Assembly Step 2

ATTENTION!

STEP 1 - MOUNTING THE BASE/HOUSING MUST BE COMPLETED BEFORE PROCEEDING TO STEP 2.

Refer to the "Mounting Template Step 1" instructions before continuing with any further assembly.

Nauti Step Dock Ladder

2nd Step Assembly

- Locate the two upper and lower frames from the kit. Lay the frames on a hard surface, following the orientation shown in Fig. 3-1.
- **Note:** Ensure the frame rails are positioned in opposite directions as illustrated.
- Grasp the lower frame with one hand and the upper frame rail with the other. Align the male "puzzle" end of the lower frame with the female "puzzle" end of the upper frame. Slide the frames together from the side as shown in Fig. 3-2.
- From the hardware kits, locate:
 - (2) splice plates
 - (8) 5/16" x 2.0" carriage bolts
 - (8) 5/16" acorn nuts & washers
- Slide a pivot plate underneath the joint where the upper and lower frames connect. Lift the pivot plate along with the joined frames.
- Insert four carriage bolts through the four center most holes on the pivot plate, ensuring they pass through the joined frame rails.
- **Note:** Installing the center bolts first helps keep the frame rails properly aligned.
- Lay the partially assembled frame on its side. Position the second pivot plate over the four center-placed carriage bolts and slide it into place so that it rests on the joined frames.
- Place 5/16" acorn nuts and washers over the inserted carriage bolts. Lightly tighten the nuts to hold the structure together.
- Lift the partially assembled frame and insert the remaining four carriage bolts through the ends of the pivot plate. Pass the bolts through to the opposite side, then attach washers and nylock nuts, as shown in Fig. 3-2.
- Lightly tighten all eight carriage bolts and nuts.
- **Note:** Do not fully tighten the nuts at this stage; final tightening will occur during the final assembly process.
- Repeat the Frame Rail Assembly for the opposite side frame rail.

NOTE: Before assembling the opposite side frame rail, proceed to the next page.

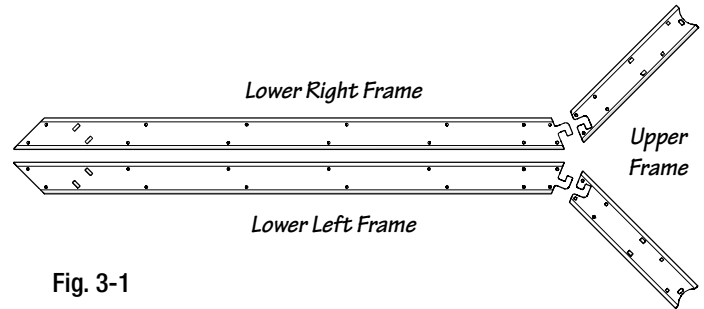


Fig. 3-1

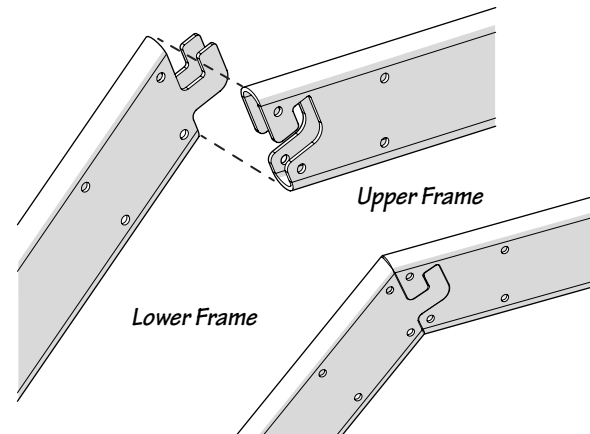


Fig. 3-2

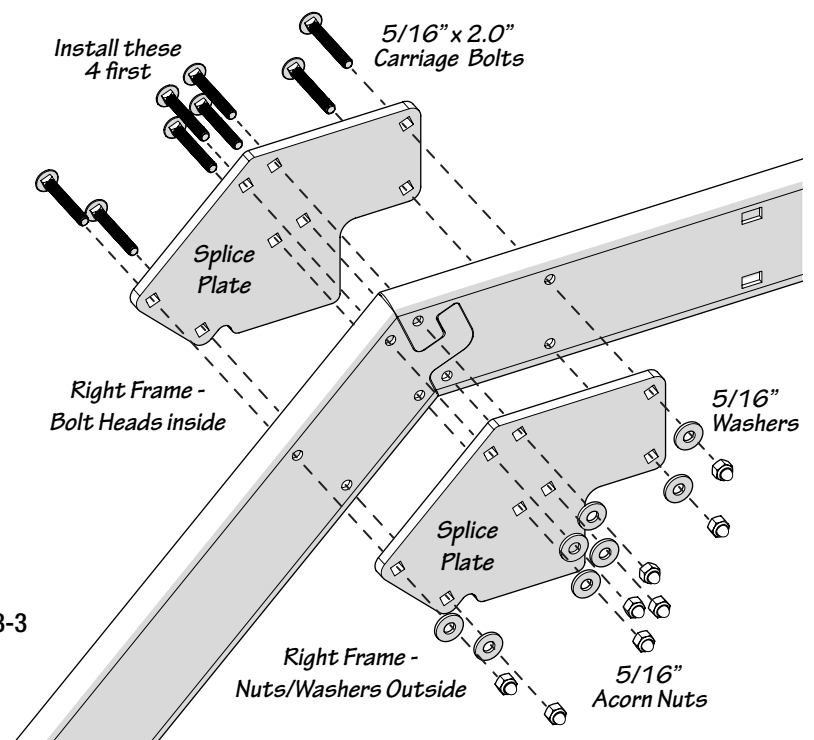


Fig. 3-3

Nauti Step Assembly Step 2

NOTE: Pay special attention to the position of the frame rails.

The ladder frames must be positioned so that the carriage bolt heads are on the inside of the fully assembled dock ladder.

As shown right in Fig. 4-1 & 4-2.

- Lay the assembled frame next to the unassembled frame, as illustrated in Fig. 4-1.
- Follow the same assembly steps outlined on the previous page to construct the opposite frame rail.
- Place the two assembled rails side by side and lift the upper frame ends, as shown in Fig. 4-2. Double-check: The carriage bolt heads must be on the inside of the two assembled frames.

If the frames are correctly oriented, continue with the step installation process.

- Lay the frames flat on the ground.
- Place a dock step at the upper end of the frames.
- Position a second dock step at the lower end, as illustrated in Fig. 4-3.

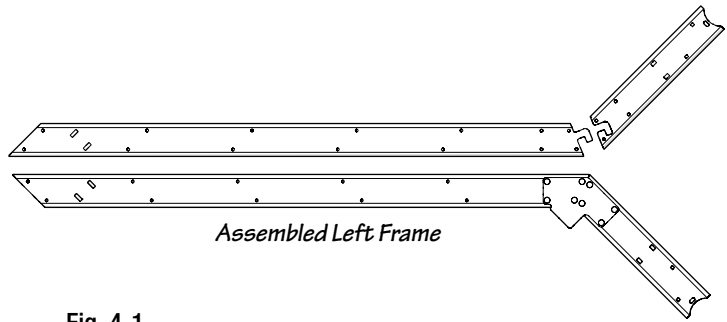


Fig. 4-1

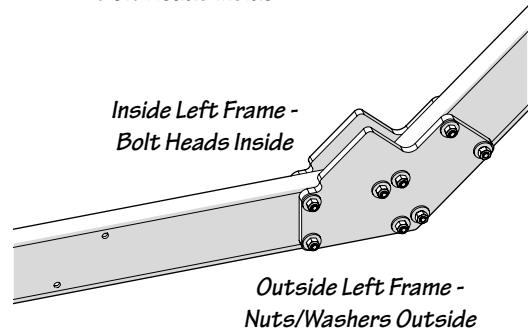
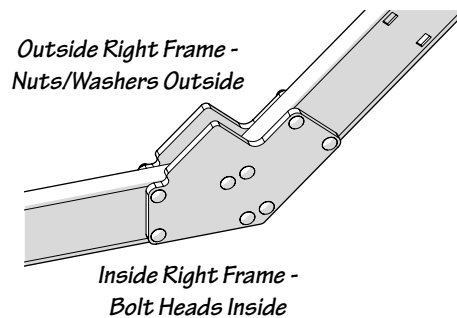


Fig. 4-2

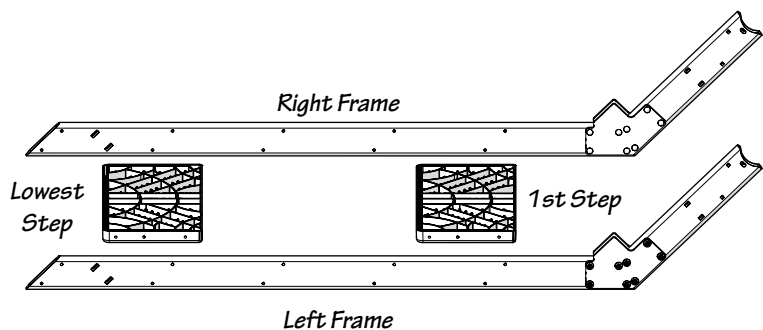
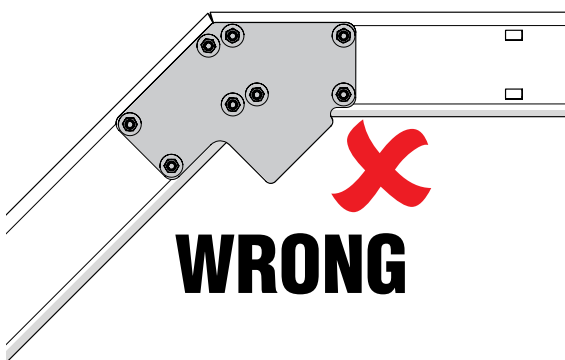
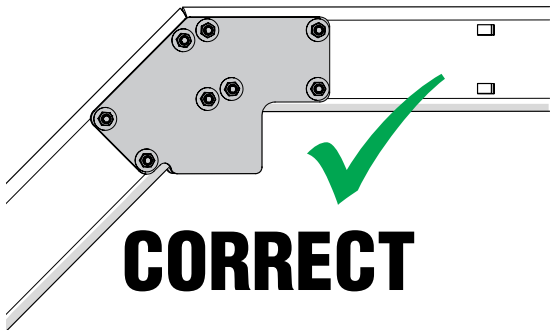


Fig. 4-3

Fig. 4-4

Nauti Step Assembly Step 2

Locate the necessary components from the hardware kit based on the number of Nauti Steps:

- 1/4" x 2-1/4" stainless steel screws
- 5/16" washers
- 1/4" Nylock nuts

- Position the ladder/frame upside down for easier assembly.
- Begin at the uppermost step location.
- Insert 1/4" screws through 1/2" washers. Slide two screws with washers through the frame, ensuring they exit on the opposite side.
- Align the Nauti Step mounting holes with the two inserted frame screws (see Fig. 5-1).
- Slide the two screws through the side of the step. While keeping the frame upside down, place washers over the ends of the two screws.
- Attach two Nylock nuts to the screws.
- Lightly tighten both screws/nuts (do not fully tighten yet).
- Move to the opposite side of the Nauti Step and repeat the previous steps to secure the step.
- Do not fully tighten the step screws at this stage. Full tightening will occur during the final assembly.

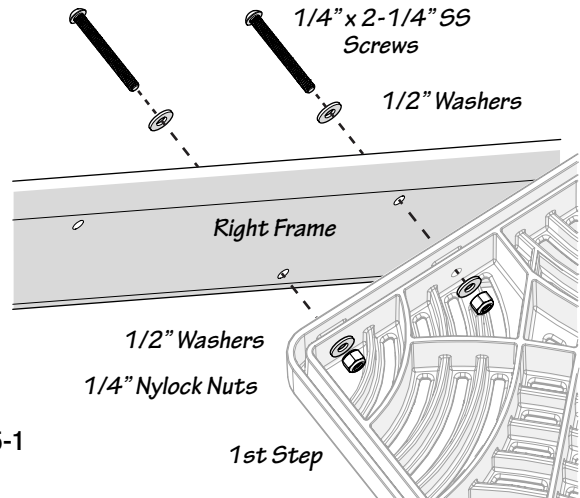


Fig. 5-1

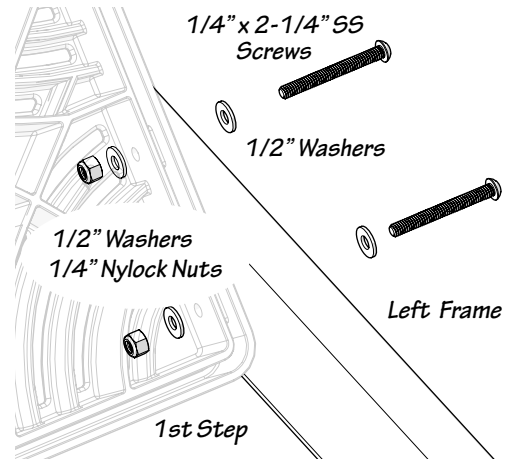
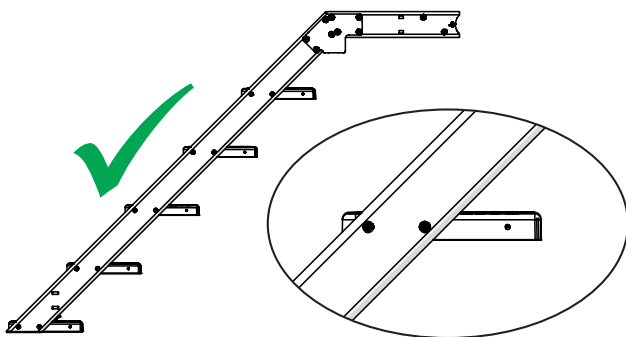
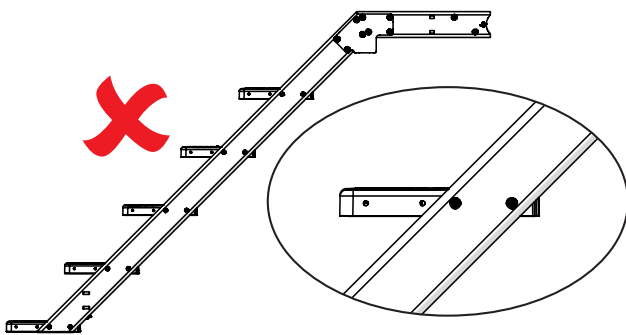


Fig. 5-2



CORRECT



WRONG

Fig. 5-3

Nauti Step Assembly Step 2

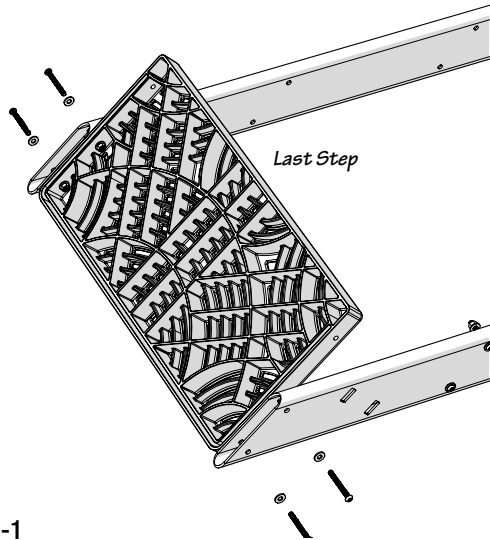


Fig. 6-1

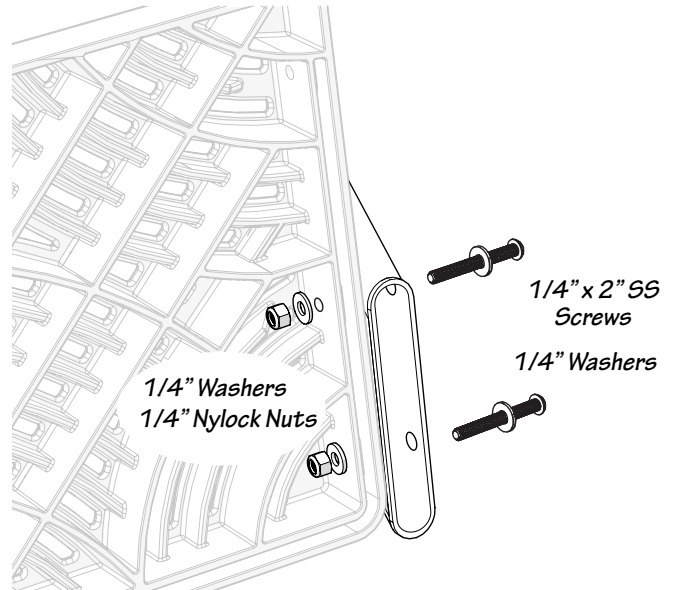


Fig. 6-2

- Start at the lowest Nauti Step.
- Follow the same installation process as before:
- Insert the 1/4" screws through 1/2" washers and slide them through the frame.
- Align the last Nauti Step with the inserted screws.
- Attach washers and Nylock nuts to the screws.
- Do not fully tighten the step screws at this stage, final tightening will occur during the final assembly process.

Once the upper most and lowest Nauti Step has been fastened to the ladder frame, proceed with the remaining step assembly.

- Working in an alternating order, assemble the remaining Nauti Steps opposite from the last step installed.
- Depending on the number of steps:
 - 1st - top step
 - 2nd - last step
 - 3rd - middle step
 - 4th - next step closest to the end
 - 5th - next step closest to the top
- Follow the simple illustration is shown right in Fig. 6-3.
- Do not fully tighten the step screws at this stage, final tightening will occur during the final assembly process.

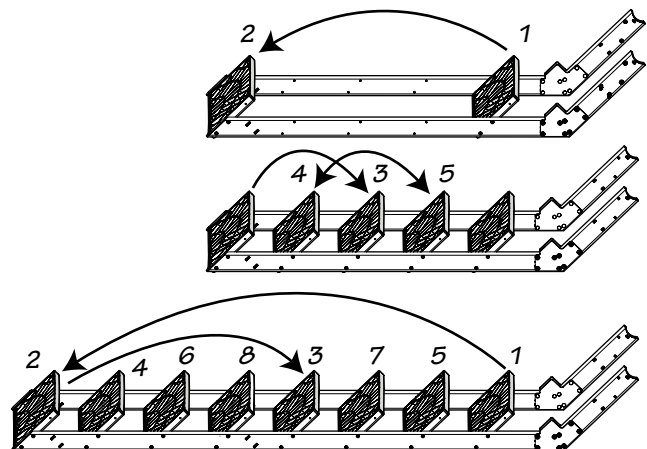


Fig. 6-3

Nauti Step Final Assembly Step 3



WARNING



Due to the variation in dock styles and materials, it is strongly recommended that a dock installer or professional installs the Nauti Steps.

Additionally, due to the weight and structural tension applied to the ladder base, additional support must be installed for safe and secure mounting.

Nauti Step Dock Ladder Final Assembly Step 3

NOTE: Before any further assembly takes place, the base/housing must be fully secured to the dock. The Nauti Step Dock Ladder must be fully assembled, noted: nuts/bolts are still lightly tighten.

Attention: The final assembly will require two workers.

- Position the assembled Nauti Dock Ladder upside down with the upper end frames placed next to the base/housing as shown in Fig. 7-1.
- The pivot plates on the side of base/housing in the non tensioned position will point backwards away from the dock edge.
- Before attaching the ladder to the base it maybe helpful to place a block of wood (2x4) under the Nauti Dock Ladder as shown in Fig. 7-2.
- With one worker on each side the dock ladder, lift the Nauti Dock ladder upward. Align the base/housing mounting plates with the inside of the upper frame tie as shown right.
- Both workers should lift/push/slide the frame over the base/housing plates until the frame stops against the end of the mounting plate/housing. NOTE: it may be helpful to use a rubber mallet to tap the elbow joint on the side frames to assist with the ladder installation.
- Insert 2 (5/16 x1-1/4") carriage bolts from the inside of the ladder frame through the upper frame & base/housing plate as shown in Fig.7-3.
- On the opposite side of both frames, place a 5/16" washer and Nylock nuts over the four 1-1/4" carriage bolts.

Once the ladder assembly has been secured to the mounted base/housing, it is OK to tighten all nuts/bolts/hardware.

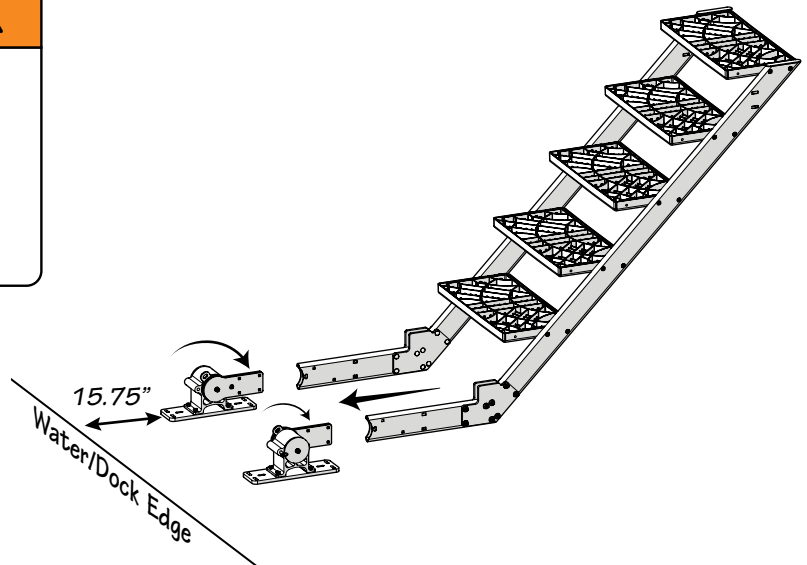


Fig. 7-1

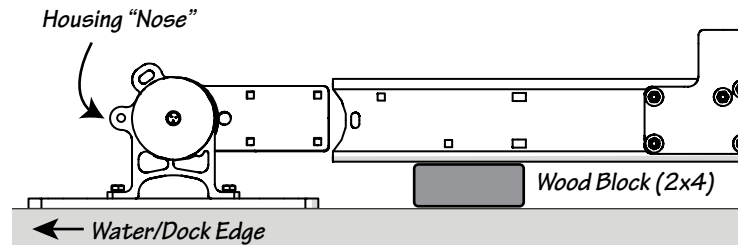


Fig. 7-2

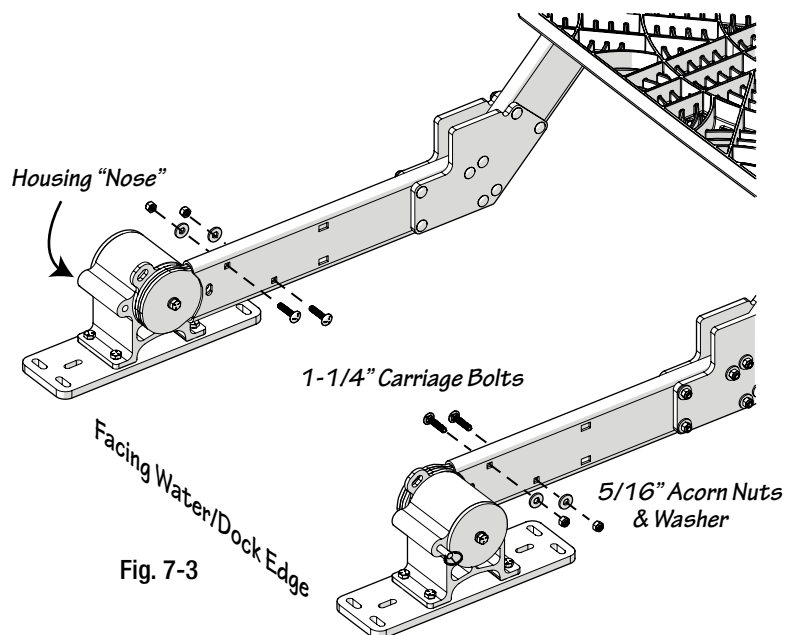


Fig. 7-3

Nauti Step Final Assembly Step 3

Locate the necessary components from the hardware kits:

- (4) 3/8" x 3" Carriage Bolts
- (4) 3/8" washers
- (4) 3/8" Nylock nuts
- (1) Hand Rail

Attention: Requires Two Workers for Installation

- Decide which side the hand rail will be installed on.
- Lower the fully assembled Nauti Steps Dock Ladder into the water.
- One worker holds the Nauti Steps along the outside. The second worker aligns the mounting holes of the hand rail and upper frame rail, as shown in Figure 8-2.
- Insert two 3/8" x 3" carriage bolts from the inside of the Nauti Steps (see Figure 8-2). Add a 3/8" washer and Nylock nut to each bolt end.
- Lightly tighten the nuts and bolts (do not fully tighten yet).
- While one worker holds the hand rail in place, the second worker raises the Nauti Steps out of the water (see Figure 8-3).
- One worker should continue holding the Nauti Steps in an upward position while securing the lower mounting points.
- The second worker installs two 3/8" x 3" carriage bolts from the inside of the Nauti Steps (see Figure 8-4). Add a 3/8" washer and Nylock nut to each bolt end. Fully tighten the nuts and bolts for the lower end of the Nauti Steps.
- Lower the Nauti Steps back into the water.
- Fully tighten the nuts and bolts on the upper hand rail/frame to complete the installation.

If an additional hand rail was purchased, follow the above instructions for the opposite side hand rail.

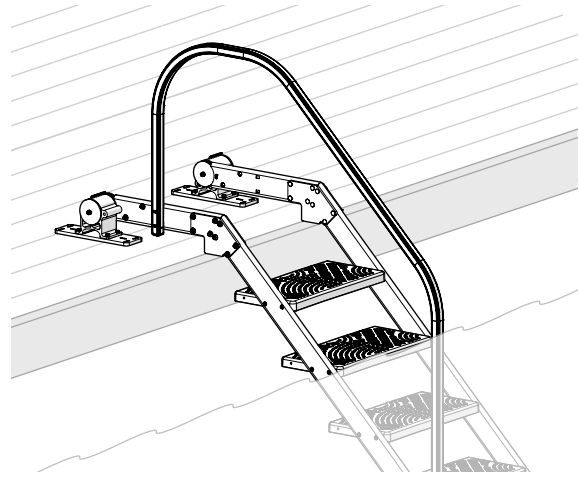


Fig. 8-1

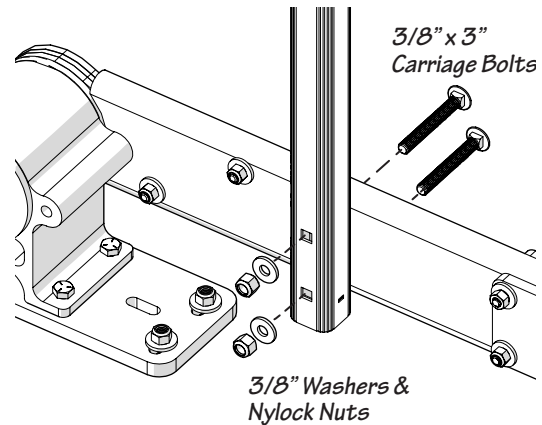


Fig. 8-2

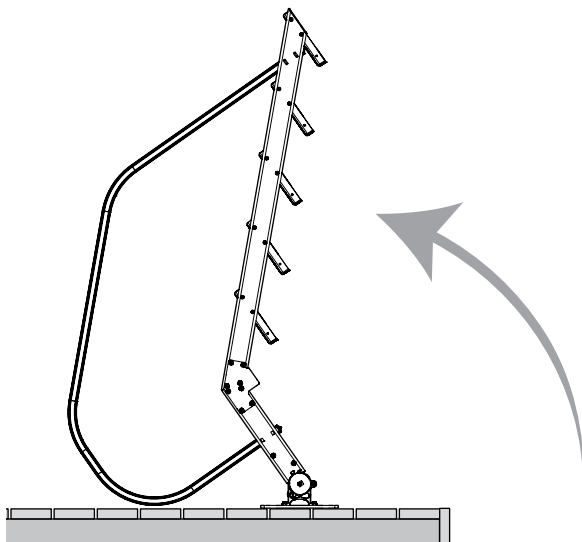


Fig. 8-3

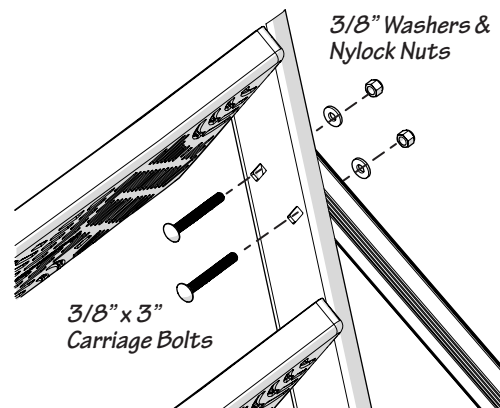


Fig. 8-4

How to Use the Nauti Steps Safely

Nauti Steps Ladder Dock Maximum Weight Capacity 300 lbs.

The Nauti Steps Dock Ladder is designed for easy storage when not in use by lifting it out of the water. The tethered safety locking pin designed for securing the ladder in both “in-use” and “storage” modes.

- Weather you are getting ready to use or preparing to store the Nauti Steps, remove the tethered safety pin from the base/housing.

⚠ CAUTION ⚠

- Access to the spring housing should only be granted to a professional dock installer.
- Open only when the ladder is in the up position (not under tension). Failure to follow this precaution may result in personal injury.

To Raise the Nauti Steps

- Grasp the upper end of the hand rail and lift the Nauti Steps upward until it is fully raised.
- Insert the safety pin into the pin locking housing as shown in Figure 9-1.
- Slide the safety pin completely through until it passes out the opposite side of the housing to ensure a secure lock.

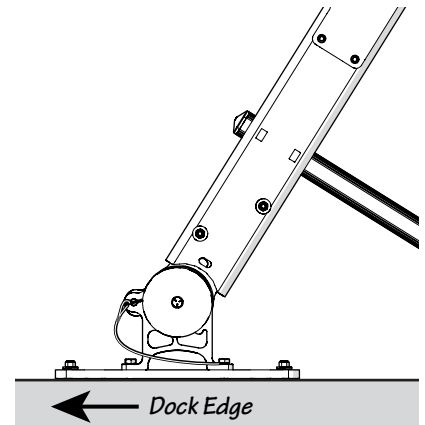
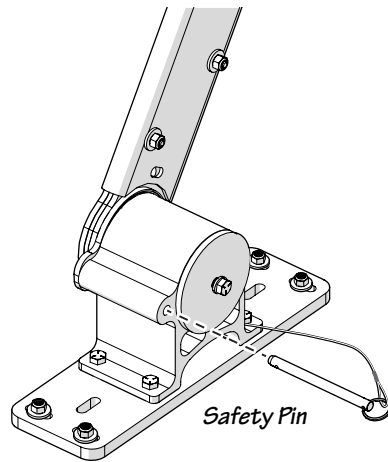


Fig. 9-1

To Lower the Nauti Steps

- Grasp the upper end of the hand rail and push forward lowering the Nauti Steps into the water.
- Insert the safety pin into the pin locking housing as shown in Figure 9-2.
- Slide the safety pin completely through until it passes out the opposite side of the housing to ensure a secure lock.

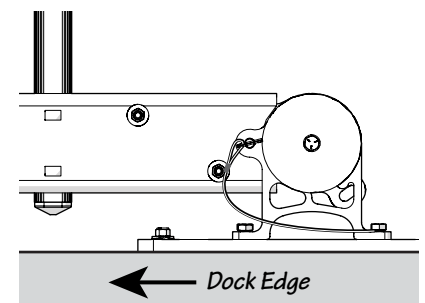
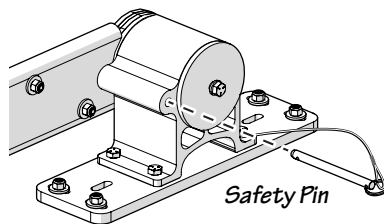


Fig. 9-2

Warning and Safety Label Placement

Upon completing the assembly of the Nauti Steps, the final step is applying the safety and warning labels. Locate the single sheet of labels included in the hardware kit.

Using the illustrations below as a guide, apply the safety and warning labels precisely where indicated.

Failure to apply the safety and warning labels in the specified locations will void the product warranty and any product liability.

If at any time the Nauti Steps product labels become damaged and require replacement, contact Tie Down at 404-344-0000 or email sales@tiedown.com to request replacements.

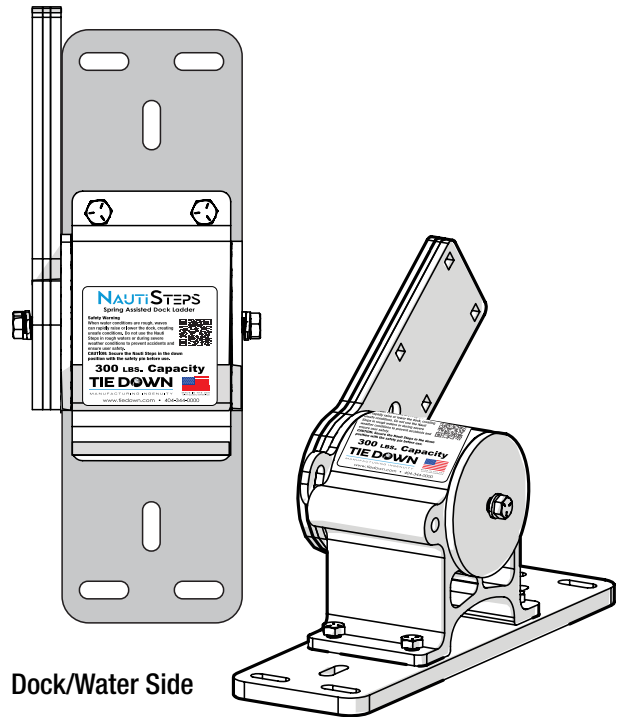
ATTENTION

Failure to apply the safety and warning labels in the specified locations will void the product warranty and any product liability.

Always ensure all safety labels are properly placed and clearly visible, as outlined in the label placement instructions.

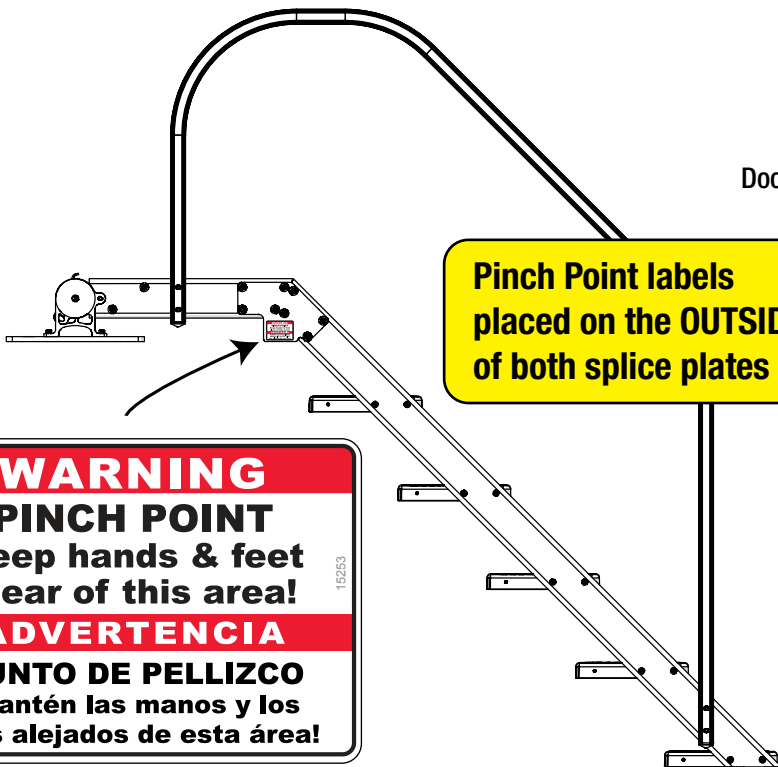


Safety Label placed on the top of each base/housing facing the dock/water side



Dock/Water Side

Pinch Point labels placed on the OUTSIDE of both splice plates



Mounting Hardware Appendix

This optional kit provides brackets and hardware for installers who prefer to use Tie Down's bracket-based reinforcement method. It is not required for every NautiSteps installation.

Because dock styles and materials vary, many installers reinforce the dock using 2x4's, blocking, backing plates, or other dock-specific materials.

The included 3/8"-16 hardware attaches the base/housing to the supplied brackets. Hardware and materials needed to attach reinforcement to the underside of the dock are not included and must be supplied by the installer.

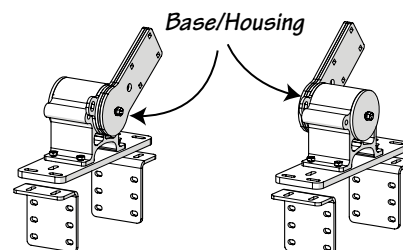
NautiSteps Optional Dock Mounting Bracket Kit (#43132 Sold Separately) Includes:

- (4) short brackets
- (2) long brackets
- (8) 3/8"-16 x 2.5" GR 5 screws
- (8) 3/8"-16 Nylock hex nuts
- (16) 3/8" washers

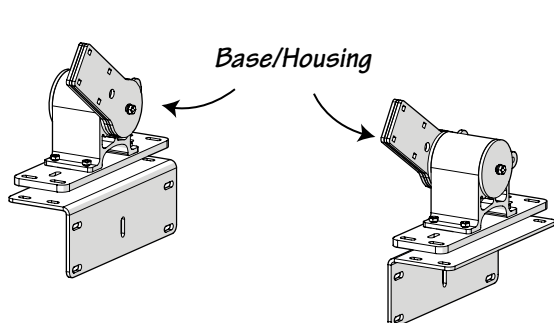
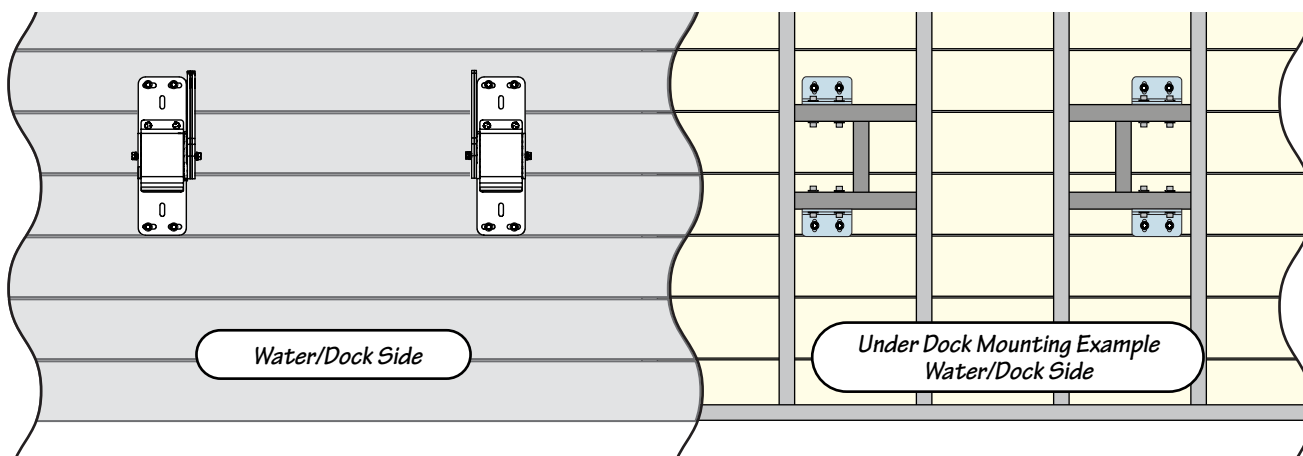
NOT INCLUDED: 2x4's, blocking, backing plates, dock-specific fasteners, or other materials needed to attach reinforcement to the underside of the dock structure.



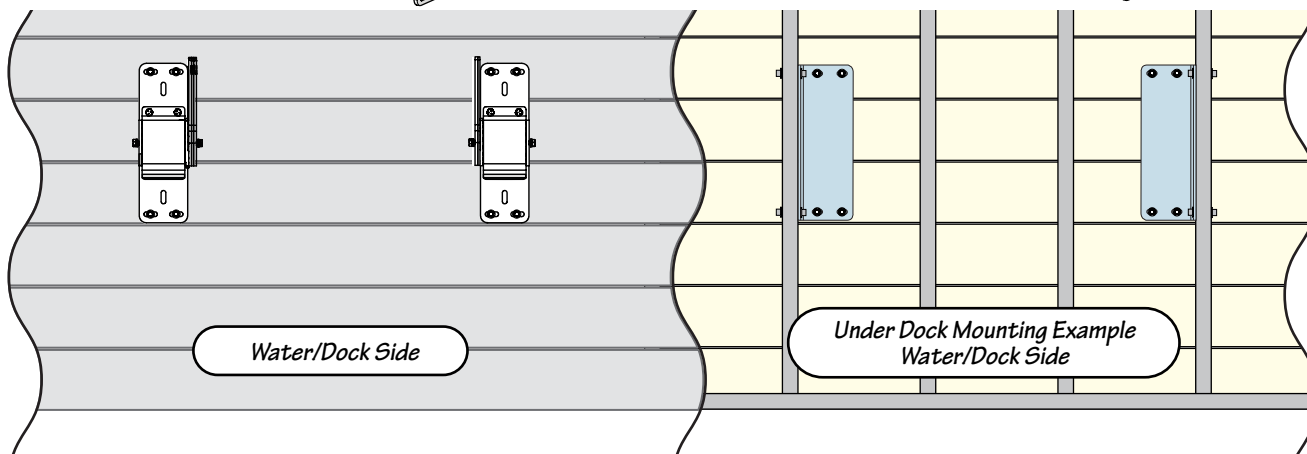
Online Mounting Template



"Short" Bracket Mounting Option
(4 brackets included)



"Long" Bracket Mounting Option
(2 brackets included)



Product Warranty

Tie Down's Nauti Steps Dock Ladder - 3 Year Limited Warranty

Coverage:

Limited Warranty TIE DOWN Inc. warrants its products to be free from defects in material and workmanship for 3 years (36 months) from date of purchase or delivery to the original purchaser when properly installed, used and maintained by the purchaser.

Exclusions:

This warranty does not cover damage caused by:

- Assembly or installation errors.
- Use of non-TIE DOWN parts or accessories.
- Misuse, improper application, or failure to follow instructions.
- Use outside of intended applications.

Warranty Claim Process:

If a defect is confirmed by TIE DOWN, the company may:

- Credit the purchase price.
- Replace the product.
- Repair the product.

Claims must be submitted within 30 days of discovering the defect or warranty expiration, whichever comes first. The purchaser is responsible for returning the product for evaluation, and expenses incurred without prior written approval from TIE DOWN will not be reimbursed.

Limitation of Liability:

TIE DOWN's liability is limited to the product's purchase price. This warranty excludes all implied warranties, including fitness for a particular purpose. Incidental or consequential damages are not covered unless prohibited by law.

To Obtain Technical Assistance:

To enable TIE DOWN to respond to a request for assistance or evaluation of customer or user operating issue, please provide at a minimum the following information by calling 404-344-0000:

- Product, part number, serial number (if available) and all other data on the specific component which appears to be involved with the issue.
- The date and from whom you purchased your TIE DOWN product.
- State your issue, being sure to mention at least the following: application, nature of load involved, and weight of the load.

Final Terms:

No representative has authority to make any representation, promise or agreement except as stated in this Limited Warranty. TIE DOWN reserves the right to make design and other changes upon its products without any obligation to install the same on any previously sold or delivered products.

This warranty is effective March 2025 and replaces all previous warranties. TIE DOWN reserves the right to update product designs without retrofitting past models.



Marine Products Division
605 Stonehill Drive SW, Atlanta, Georgia 30336
404-344-0000 • www.tiedown.com
ISO 9001:2015 Certification
Intellectual Property of TIE DOWN Inc. ©2025 TIE DOWN, Inc.
Instruction #08472 (A2069 Rev. 6/11/26)